

MURUM

FACADE TILES

MURUM



MATERIALS AND MANUFACTURING

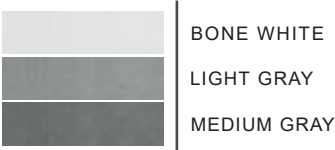
Cementitious additives, waterproofing agents, reinforcements, components for strength, components for durability. All these materials are carefully selected and manufactured using automated machinery of the highest quality to achieve uniformity and optimal consistency. THE MANUFACTURING PROCESS IS CARRIED OUT USING SPECIAL MOLDS WITH A TOLERANCE IN MEASUREMENTS OF UP TO 1/8" (+/- 0.1181").

FEATURES

- Stain-resistant
- Durability.
- Easy installation
- Environmentally sustainable

The maintenance is minimal, and the color does not change or degrade over time as natural materials are used.

COLORS



The available colors are exclusive in a visible finish. Some slight variations may occur in tones, which are part of the beauty of working with natural materials.

CUSTOM MADE

We manufacture special designs starting from 21,528ft²

WARRANTY

1 year warranty
On the manufacturing of our pieces.

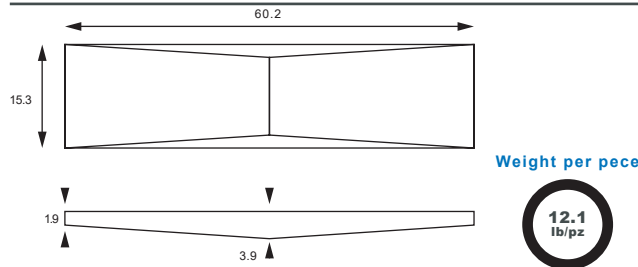


*For technical clarifications, please contact the Engineering Department.

PRODUCT INFORMATION

Murum is the pioneer in luxury concrete ornaments and modules, transforming any space into a piece of art and design in its own right. For Murum, the goal goes beyond ornamentation; it is about making a statement, a seal of boldness, style, and originality.

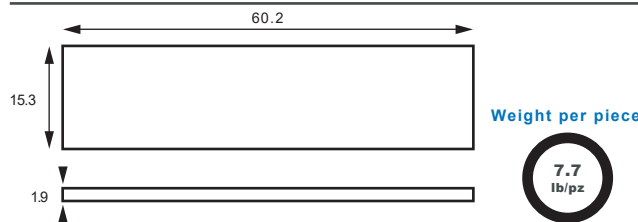
CALAMUS



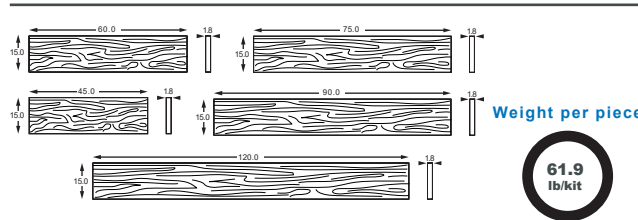
Combination of different models:

30% CALAMUS
70% FIXUS

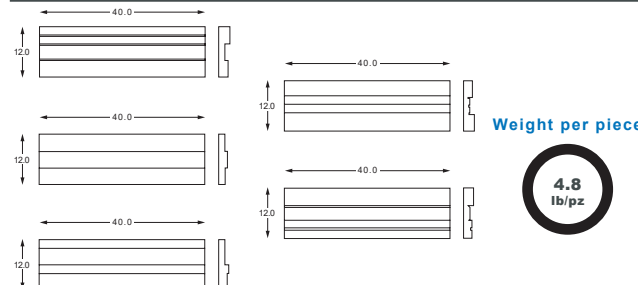
FIXUS

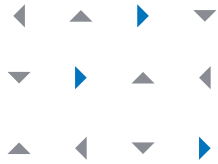


ROOT



PONDUS





MURUM

FACADE TILES

MURUM



MATERIALS AND MANUFACTURING

Cementitious additives, waterproofing agents, reinforcements, components for strength, components for durability. All these materials are carefully selected and manufactured using automated machinery of the highest quality to achieve uniformity and optimal consistency. THE MANUFACTURING PROCESS IS CARRIED OUT USING SPECIAL MOLDS WITH A TOLERANCE IN MEASUREMENTS OF UP TO 1/8" (+/- 0.1181").

FEATURES

- Stain-resistant
- Durability.
- Easy installation
- Environmentally sustainable

The maintenance is minimal, and the color does not change or degrade over time as natural materials are used.

COLORS



The available colors are exclusive in a visible finish. Some slight variations may occur in tones, which are part of the beauty of working with natural materials.

CUSTOM MADE

We manufacture special designs starting from 21,528ft²

WARRANTY

1 year warranty
On the manufacturing of our pieces.

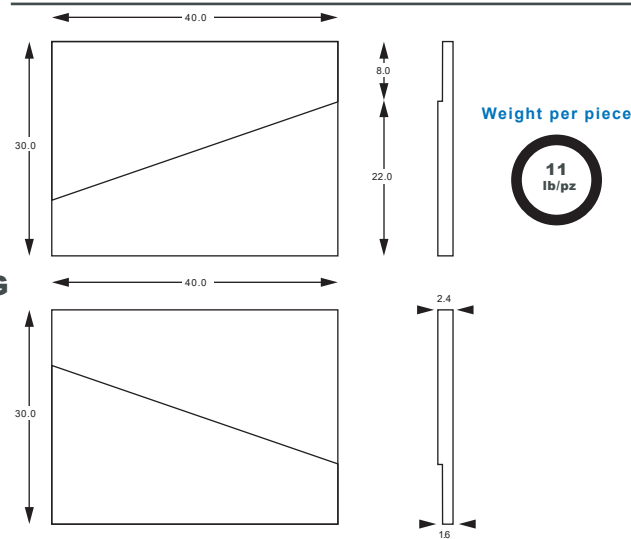


*For technical clarifications, please contact the Engineering Department.

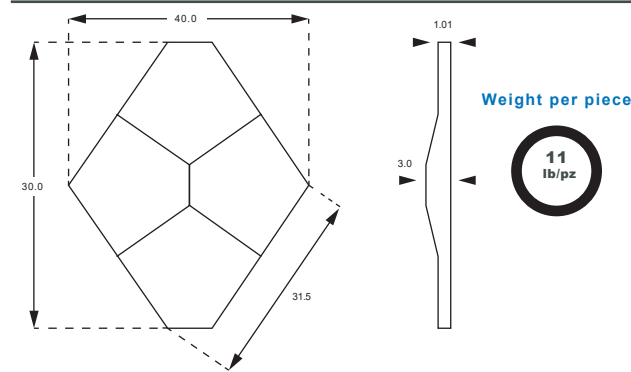
PRODUCT INFORMATION

Murum is the pioneer in luxury concrete ornaments and modules, transforming any space into a piece of art and design in its own right. For Murum, the goal goes beyond ornamentation; it is about making a statement, a seal of boldness, style, and originality.

LINUM



STEALTH



PLANUS

